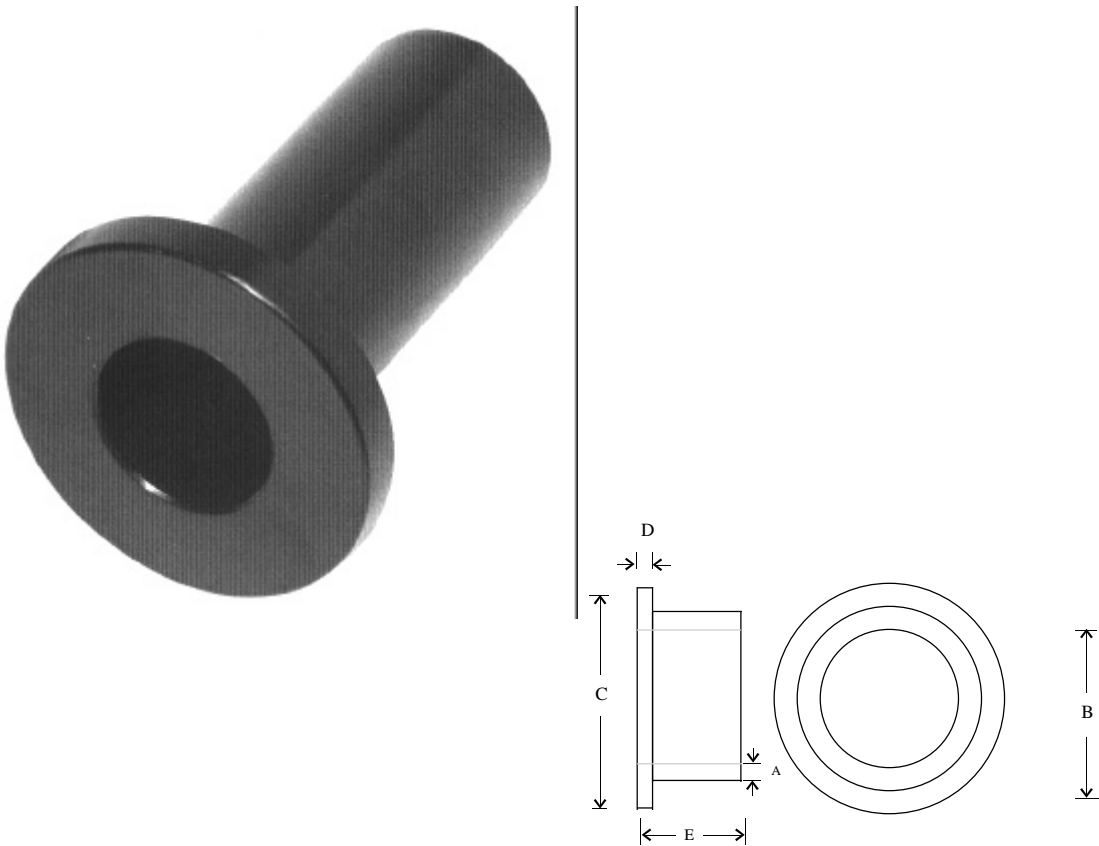


Fabricated Fittings

Flange Adapter

For Information Call (713) 645-2858
or fax (713) 645-1756

22" to 36" IPS Sizes
SDR 11 Standard (Others Available)
Pipe Grade Sheet or Billet Material Used in Construction



Nom. Pipe Size	SDR	Stock	Dim. A	Dim. B	Dim. C	Dim. D	Dim. E	Part Number
20	11	n	1.82	20.0	23.5	2.3	12.0	FF200Z0000E000
22	11	n	2.00	22.0	25.6	2.5	12.0	FF220Z0000E000
24	17	n	1.42	24.0	27.9	3.5	14.0	FF240Z0000E000
28	15.5	n	1.81	28.0	32.3	2.7	14.0	FF280Z0000E000
30	11	n	2.73	30.0	34.3	4.1	14.0	FF300Z0000E000
32	21	n	1.52	32.0	36.5	2.3	14.0	FF320Z0000E0000
36	17	n	2.12	36.0	40.8	3.2	14.0	FF360Z0000E0000